

JABRA LINK 44 set-up instructions for DT330, DT430, DT730 and DT830



Table of Contents

- 1.0 Jabra LINK 44 description. 2
- 2.0 Supported NEC phone models and Jabra headsets. 2
- 3.0 Jabra LINK 44 features..... 2
- 4.0 Jabra part numbers and NEC part numbers 3
- 5.0 System compatibility..... 4
- 6.0 Step by Step connection..... 5
- 6.1 Set up card..... 6

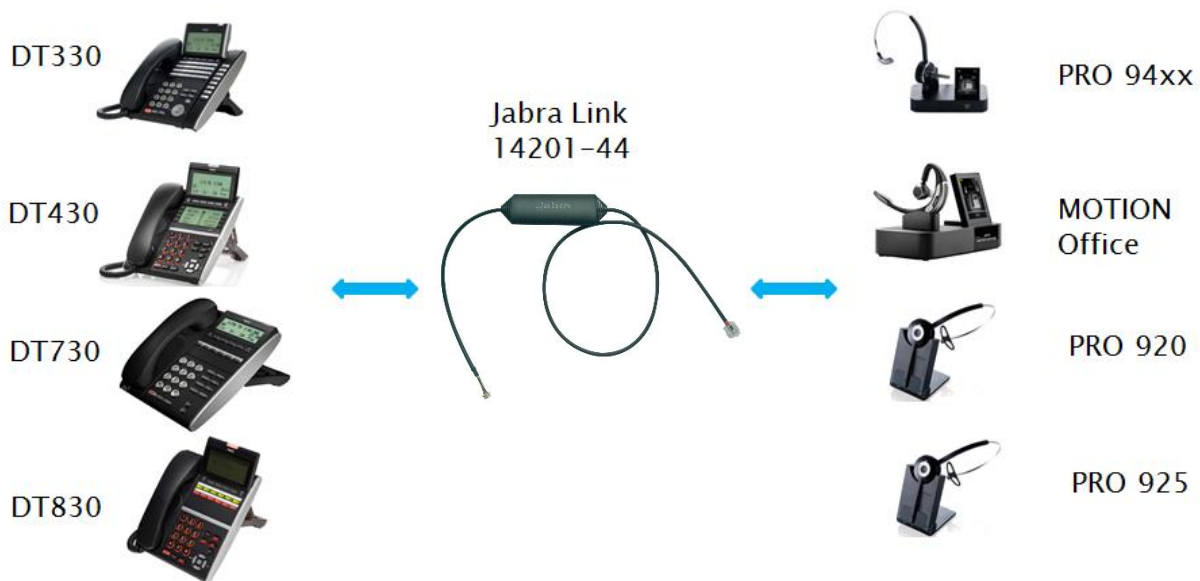
1.0 Jabra LINK 44 description.

Jabra LINK 44 is an EHS (Electronic Hook Switch) that enables a user to control one of the supported NEC phone models by one of the supported Jabra headsets.

2.0 Supported NEC phone models and Jabra headsets.

The following table describes the supported NEC models (DT330, DT430, DT730 and DT830) and the supported Jabra headsets (Jabra PRO 94xx, Jabra MOTION Office, Jabra PRO920 and Jabra PRO 925).

Jabra Link44 does not support NEC phone models in retro mode.



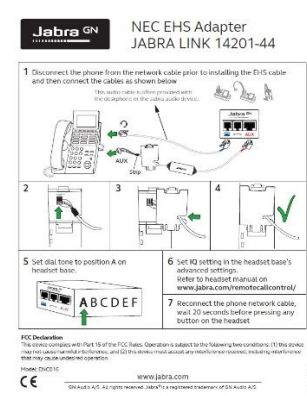
3.0 Jabra LINK 44 features.

Jabra LINK 44 allows the users to do the following directly from the headset:

- Support Hook-on and Hook-off on DT-330, DT-430, DT-730 and DT-830.
- Support Ringer indication on DT-430 and DT-830

4.0 Jabra part numbers and NEC part numbers

	Part number	Name	Description
Jabra	14201-44	Jabra LINK 44	<ul style="list-style-type: none"> EHS cable Connector panel Set up card



5.0 System compatibility

Jabra LINK 44 supports the following phone models with the following server types.

Programming headset key and phone model set up are described in the NEC switch manual instructions.

Jabra LINK 44 supports only SVxxxx server types. Jabra LINK 44 does not support systems such as Aspire UX, SIP@Net and 3C, for example.

Jabra Link44 does not support NEC phone models in retro mode.

NEC Phones			Server type						Comments
Phone Type	Phone series	Phone Model	SV8100	SV9100	SV8300	SV9300	SV8500	SV9500	
Digital phone	DT330	DTL-12D-1 Tel	Key 25	Key 25	Key 25	Key 25	Key 25	Key 25	
		DTL-24D-1 Tel	Key 25	Key 25	Key 25	Key 25	Key 25	Key 25	
		DTL-32D-1Tel	No	No	No	No	No	No	No
		DTL-8LD-1 Tel	Key 33	Key 33	Key 33	Key 33	Key 33	Key 33	Key 33
		DTL-12BT-1Tel	No	No	No	No	No	No	No
		DTL-12PA-1Tel	No	No	No	No	No	Key 25	Key 25

NEC Phones			Server type						Comments
Phone Type	Phone series	Phone Model	SV8100	SV9100	SV8300	SV9300	SV8500	SV9500	
Digital phone	DT430	DTZ-12D-1 Tel	Key 25	Key 25	Key 25	Key 25	Key 25*	Key 25*	*:it does not support server model UG50
		DTZ-24D-1 Tel	Key 25	Key 25	Key 25	Key 25	Key 25*	Key 25*	*:it does not support server model UG50
		DTZ-32D-1Tel	No	No	No	No	No	No	No
		DTZ-8LD-1 Tel	Key 33	Key 33	Key 33	Key 33	No	Key 33*	*:it supports only on server model SCH-16ELCA -A

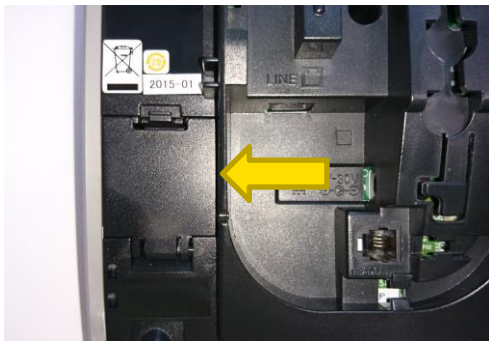
NEC Phones			Server type						Comments
Phone Type	Phone series	Phone Model	SV8100	SV9100	SV8300	SV9300	SV8500	SV9500	
IP Phone	DT730	ITL-12D-1 Tel	Key 25	Key 25	Key 25	Key 25	Key 25	Key 25	Key 25
		ITL-12DG-1 Tel	Key 25	Key 25	Key 25	Key 25	Key 25	Key 25	Key 25
		ITL-12CG-1 Tel	Key 25	Key 25	Key 25	Key 25	Key 25	Key 25	Key 25
		ITL-24D-1 Tel	Key 25	Key 25	Key 25	Key 25	Key 25	Key 25	Key 25
		ITL-32D-1 Tel	No	No	No	No	No	No	No
		ITL-8LD-1 Tel	No	No	No	No	No	No	No
		ITL-12PA-1Tel	No	No	No	No	No	Key 25	Key 25

NEC Phones			Server type						Comments
Phone Type	Phone series	Phone Model	SV8100	SV9100	SV8300	SV9300	SV8500	SV9500	
IP Phone	DT830	ITZ-12D-1 Tel	Key 25	Key 25	Key 25	Key 25	Key 25	Key 25	Key 25
		ITZ-24D-1 Tel	Key 25	Key 25	Key 25	Key 25	Key 25	Key 25	Key 25
		ITZ-32D-1 Tel	No	No	No	No	No	No	No
		ITZ-8LD-1 Tel	Key 33	Key 33	Key 33	Key 33	Key 33	Key 33	Key 33

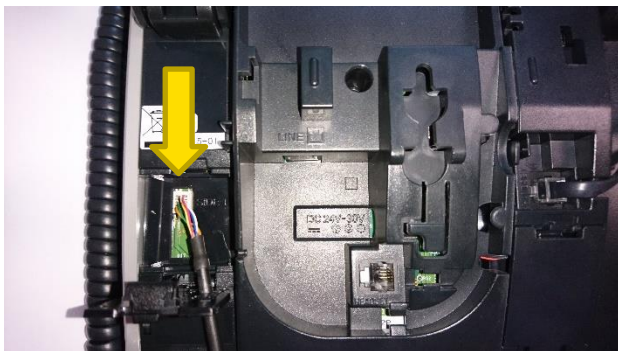
6.0 Step by Step connection.

The instructions below need to be followed to set up the Jabra LINK 44 correctly:

- 1) Disconnect NEC phone from any power source.
- 2) Disconnect Jabra headset from any power source.
- 3) Remove original NEC connector panel from phone.



- 4) Insert Jabra LINK 44 connector panel where the original NEC connector panel was placed.
- 5) Connect Jabra LINK 44 cable in "side 1"



- 6) Put the Jabra LINK 44 cable in the hole of the Jabra LINK 44 connector panel and close it.



- 7) Plug the Jabra LINK 44 RJ45 connect in the headset AUX port as indicated on the Jabra LINK 44 set up card – step 1.
- 8) Connect the telephone cable to phone and headset as indicated on the Jabra LINK 44 set up card – step 1.
- 9) Set dial tone to position “A” on headset base as indicated on the Jabra LINK 44 set up card – step 5.
- 10) Power on Jabra headset and phone.
- 11) Set IQ setting in the headset base advanced settings as indicated on Jabra LINK 44 set up card – step 6.
- 12) Wait for 20 seconds before making first call.

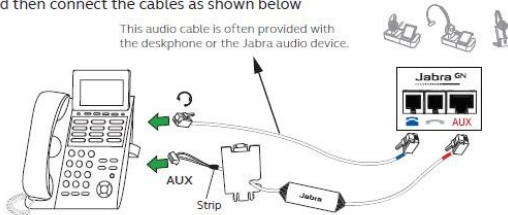
6.1 Set up card

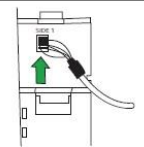
In the following picture you see the set up card which is included in the Jabra LINK 44 package.

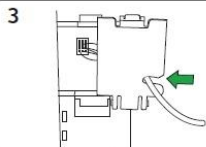
NEC EHS Adapter
JABRA LINK 14201-44

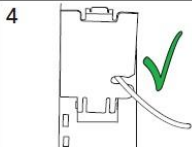
1 Disconnect the phone from the network cable prior to installing the EHS cable and then connect the cables as shown below

This audio cable is often provided with the deskphone or the Jabra audio device.

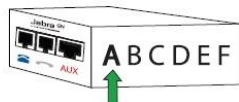


2 

3 

4 

5 Set dial tone to position A on headset base.



6 Set IQ setting in the headset base's advanced settings. Refer to headset manual on www.jabra.com/remotecallcontrol/

7 Reconnect the phone network cable, wait 20 seconds before pressing any button on the headset

FCC Declaration

This device complies with Part 15 of the FCC Rules. Operation is subject to the following two conditions: (1) this device may not cause harmful interference, and (2) this device must accept any interference received, including interference that may cause undesired operation.

Model: ENC016



www.jabra.com

GN Audio A/S. All rights reserved. Jabra® is a registered trademark of GN Audio A/S.

8-1-041-10-B